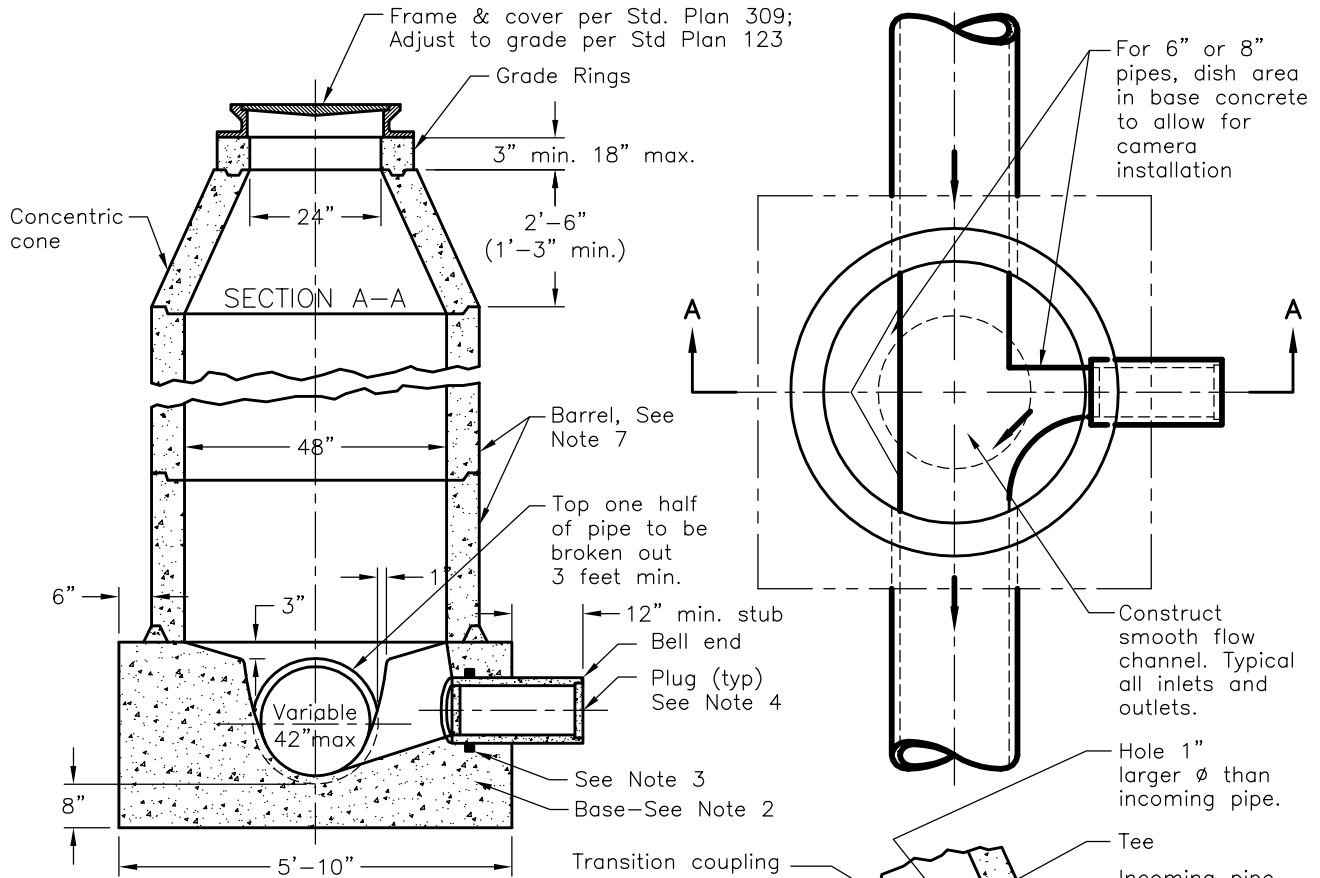




CITY OF LODI

PUBLIC WORKS DEPARTMENT

48" Manhole



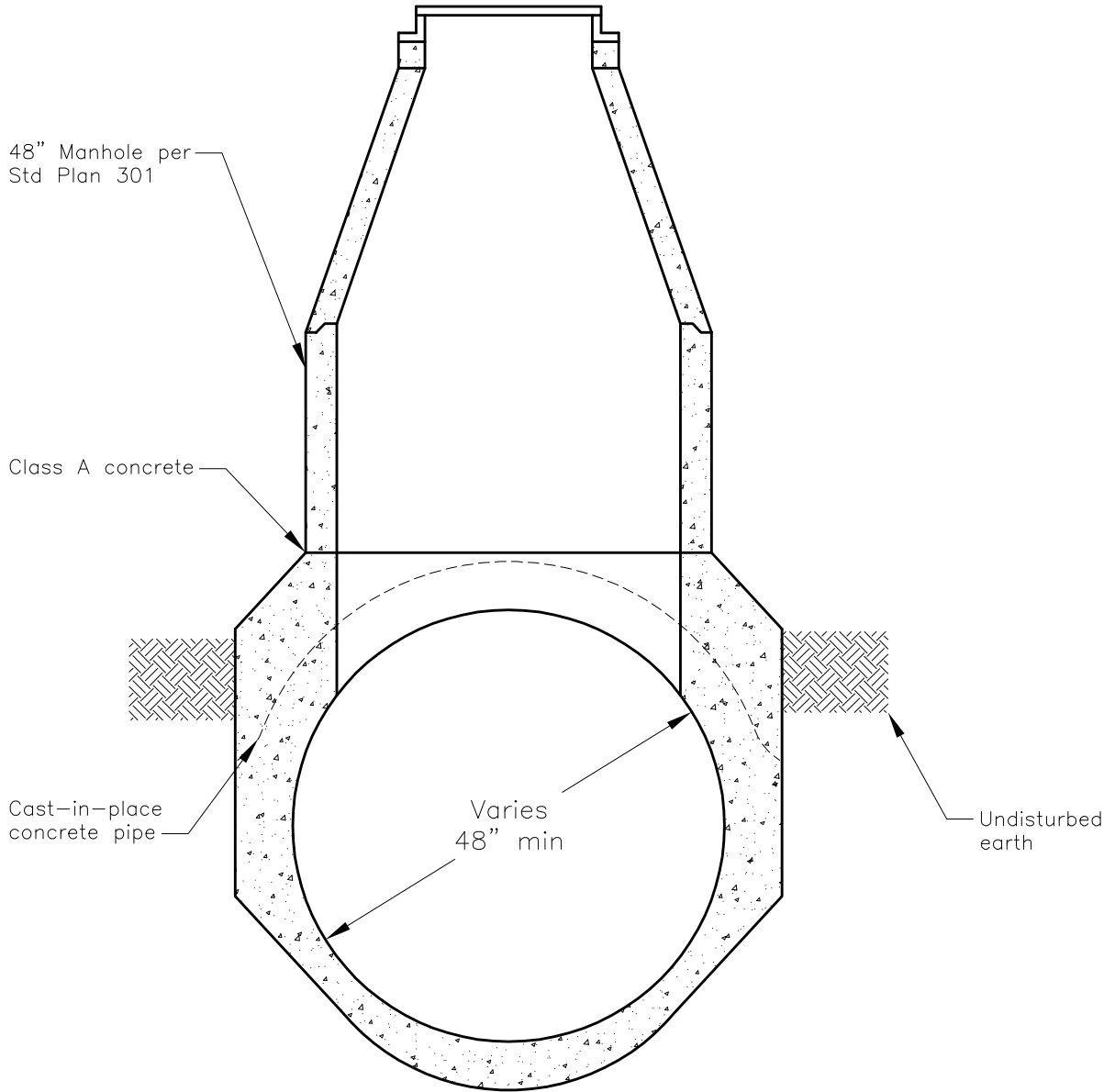
Notes:

1. Barrel, cone and grade ring sections shall conform to ASTM C478, latest revision. Manufacturer to be approved by the engineer.
2. Base shall consist of cast-in-place Class B concrete per Sec. 90 Caltrans Std Specification. Prefabricated bases shall conform to Note 1 and be placed on 4" of concrete or 3/4" Class II AB Bedding.
3. Rubber ring waterstop or manhole adapter required for PVC pipe installations.
4. Plugs shall be compression type as approved by the Engineer.
5. Backfill around MH shall be compacted to 95% R.C. min.
6. Drop connection to be used only when shown on the plans or approved by the Engineer. Drop pipe to be one size larger than the incoming pipe.
7. All barrel joints shall be grouted inside and outside or sealed Ram-nek or approved equivalent.

Drop Connection Detail
For Sanitary Sewer only

Dr. KT	No.	Date	Revision	Appr.	Approved By: <i>F. Wally Sandelin</i>	12/28/00
Ch. WS					F. Wally Sandelin City Engineer R.C.E. 39895	Date
Date 12/00						

STD PLAN
301



Notes:

1. Make manhole opening in top of pipe before concrete sets and place barrel within following 7 days.
2. Grout all joints.

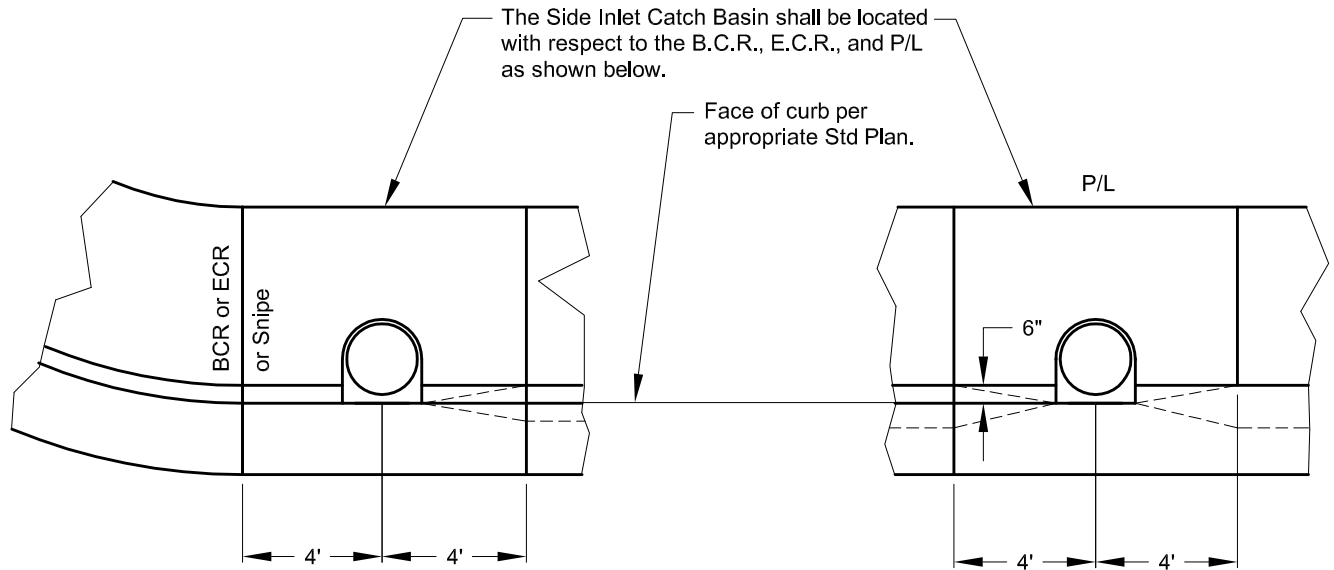
Dr. KT	No.	Date	Revision	Appr.	Approved By: <i>F. Wally Sangelin</i>	12/28/00 Date	STD PLAN 302
Ch. WS					F. Wally Sangelin City Engineer R.C.E. 39895		
Date							
12/00							



CITY OF LODI

PUBLIC WORKS DEPARTMENT

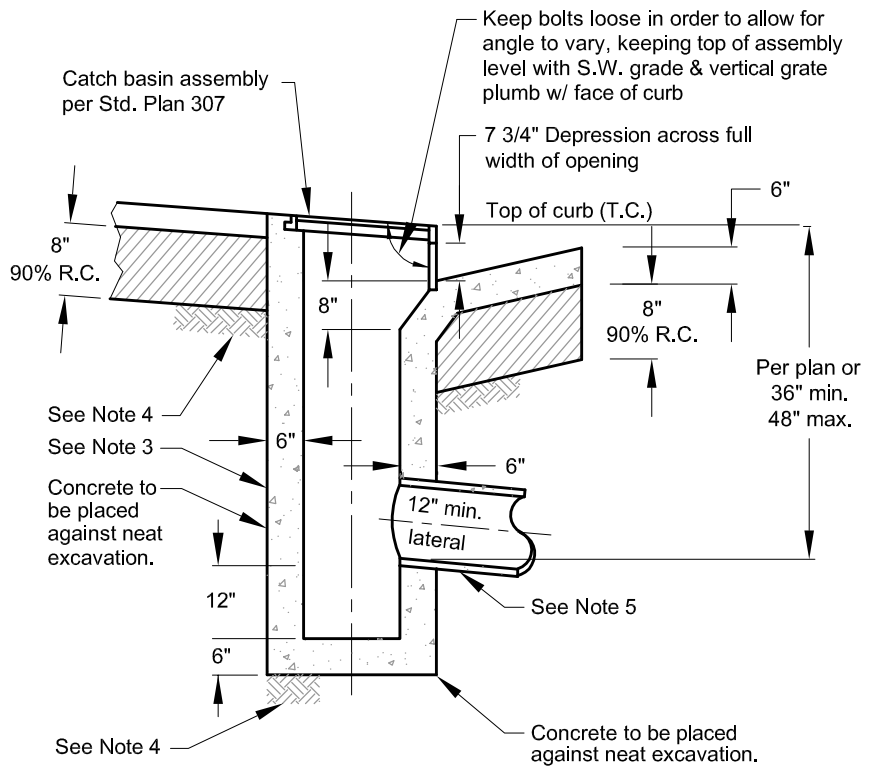
Side Inlet Catch Basin



Flowline and curb transition (typ.)

Notes:

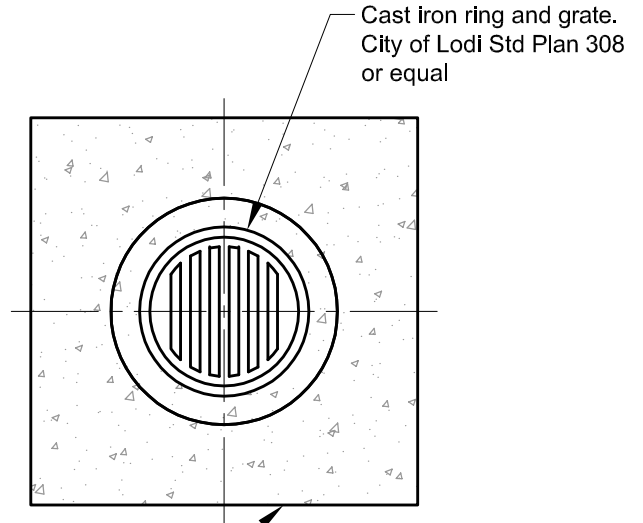
1. The concrete shall conform to following criteria.
 - A. 2500 P.S.I. at 28 days.
 - B. 1 1/2" maximum aggregate.
 - C. 4" slump at placing site.
 - D. Light broom finish.
 - E. Impervious membrane cure.
2. When catch basin is to be constructed with stub, the stub shall extend beyond the toe of the curb & gutter and plugged with precast plug.
3. Barrel may be constructed with 18" R.C.P. and grouted smooth.
4. Recompact over-excavated areas to 92% R.C.
5. Lateral line must be ductile iron pipe when cover is 2' or less.
6. For trench backfill requirements See Standard Plan 501.
7. Where no sidewalk exists, a min 3'x3'x4" thick concrete apron shall be poured around the SICB.



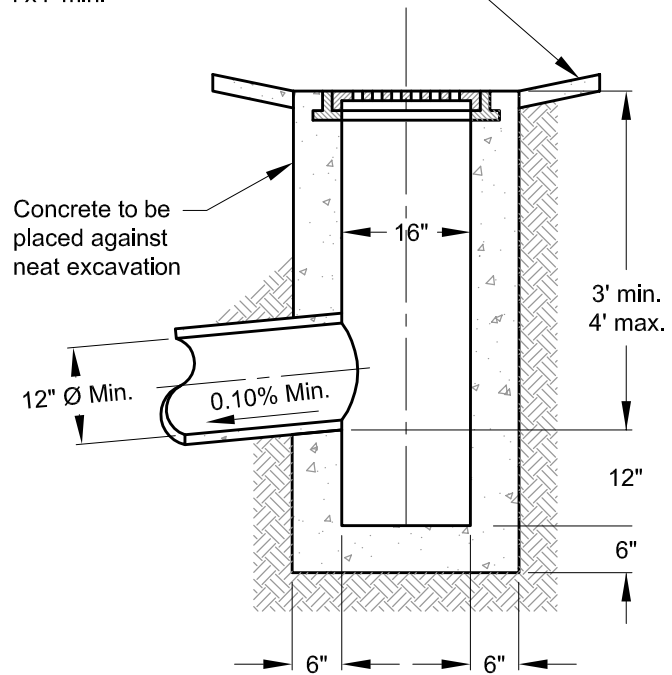
Dr.	JP	No.	Date	Revision	Appr.	Approved By:	STD PLAN
		1	7/01	UPDATE PER FIRST REVISION		 Lyman Chang City Engineer RCE No. 53149	7/22/19 Date 303
Ch.	SN	2	2/04	REVISED SICB OPENING DIM.			
		3	2/05	REVISED TRANSITION DIM.			
Date	7/19	4	7/19	ADDED NOTE 7			



Drop Inlet Catch Basin



If shown on the plan a 2" AC apron shall be placed around Drop Inlet Catch Basin.
If the size of apron is not indicated on the plan it shall be 4'x4' min.



Notes:

1. Conc. 2500 psi at 28 days
1 1/2" max. agg.
4" slump at placing site.
Light broom finish.
Impervious membrane cure.
2. For trench backfill requirements see Std Plan 501.
3. For 24" catch basin, use Std Plan 310 with slotted cover.
4. Alternate construction-use 18" RCP, grout all openings and voids smooth.

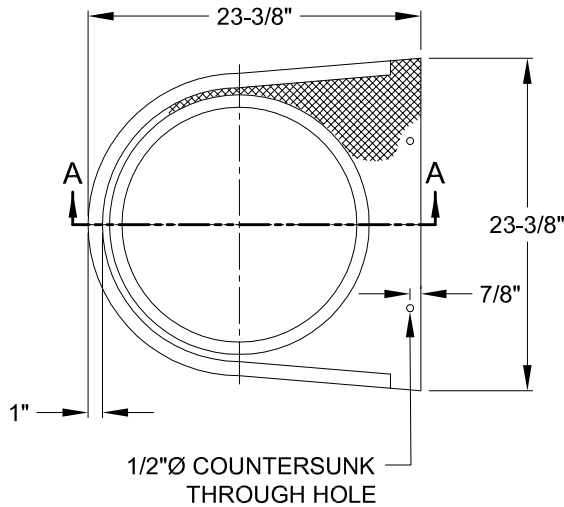
Dr.	JP	No.	Date	Revision	Appr.	Approved By:	3/7/18 Date	STD PLAN 304
Ch.	SN							
Date	3/18							
						Lyman Chang City Engineer RCE No. 53149		



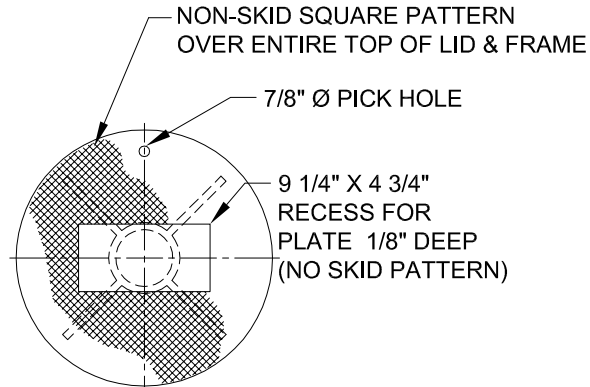
CITY OF LODI

PUBLIC WORKS DEPARTMENT

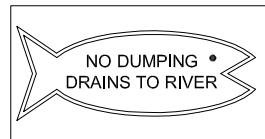
SIDE INLET CATCH BASIN ASSEMBLY



PLAN VIEW FRAME

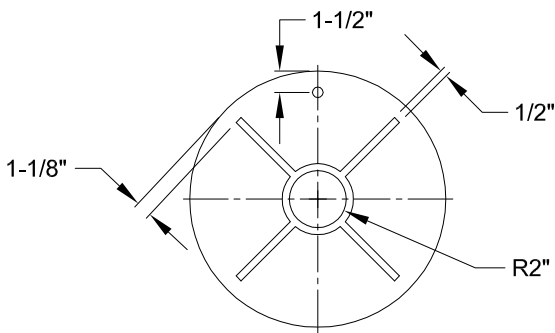


PLAN VIEW LID

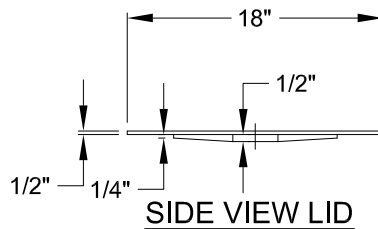


PRE-FABRICATED ALUMINUM PLATE (PROVIDED BY CITY)

PLATE DETAIL

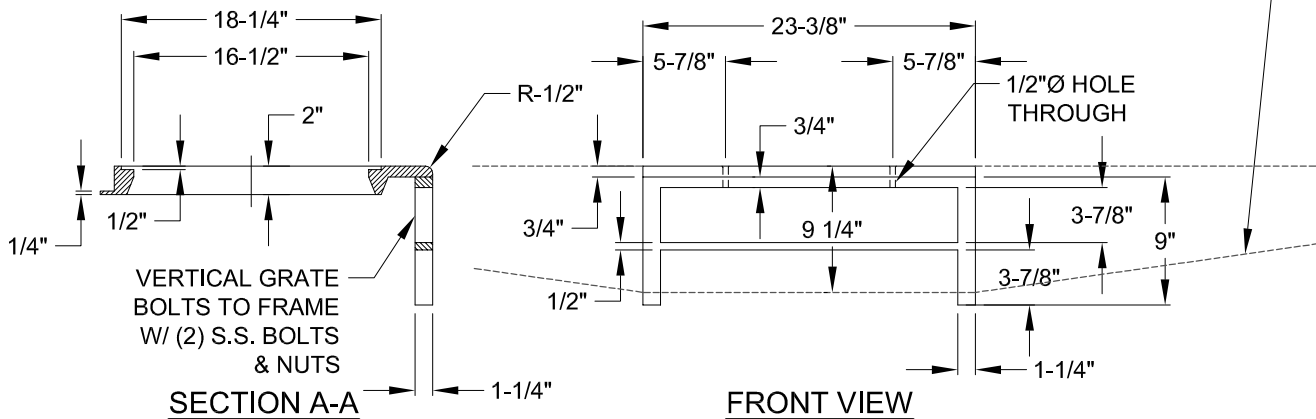


LID UNDERSIDE



SIDE VIEW LID

INSTALLATION SHALL BE AS PER STANDARD PLAN 303 & 314



SECTION A-A

FRONT VIEW

Dr.	No.	Date	Revision	Appr.	Approved By:
KG	1	2/05	NEW STANDARD PLAN		
Ch.	WS				M:\TITLEBLOCKS\Seals&Signs\Wallysign.tif
Date	6-04				F. Wally Sandelin City Engineer R.C.E. 39895

STD PLAN

2 / 2 / 05
Date

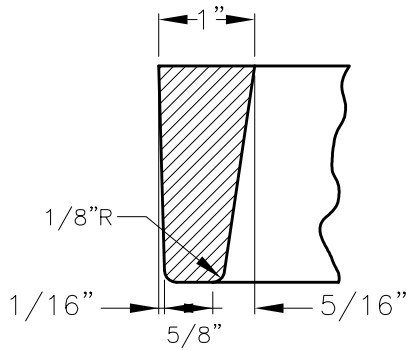
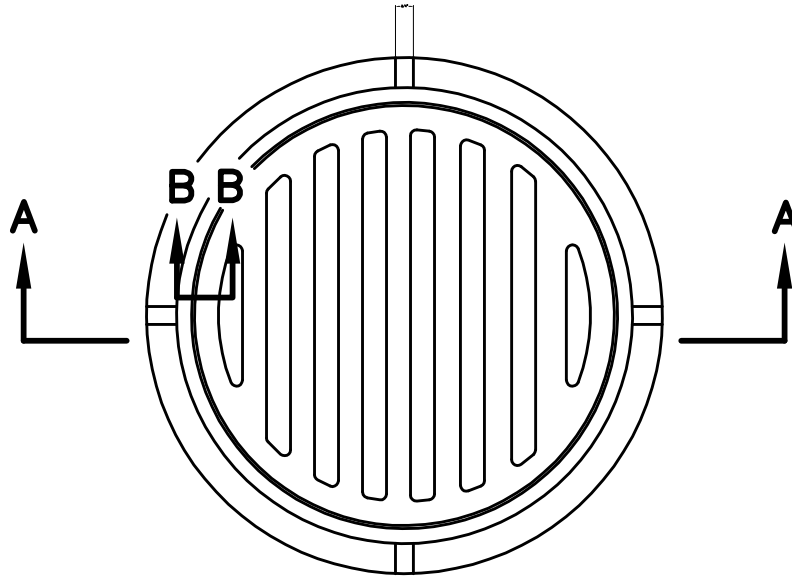
307



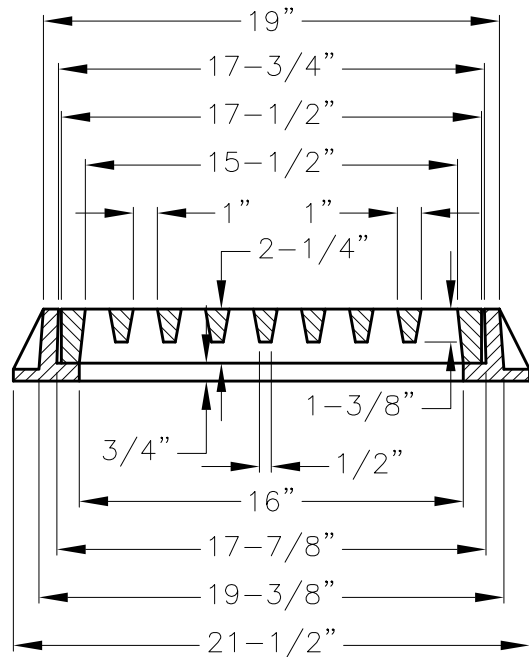
CITY OF LODI

PUBLIC WORKS DEPARTMENT

Drop Inlet Catch Basin Assembly



Section B-B



Section A-A

Dr.	No.	Date	Revision	Appr.	Approved By:	
KT					<i>F. Wally Sandelin</i>	12/28/00
Ch.	WS				F. Wally Sandelin City Engineer R.C.E. 39895	Date
Date						
12/00						

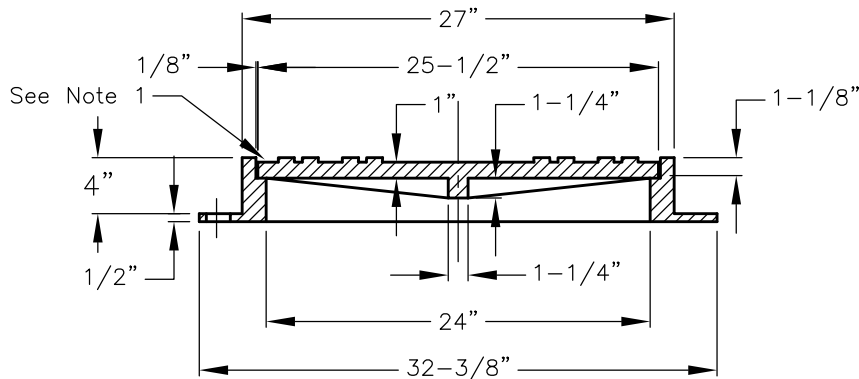
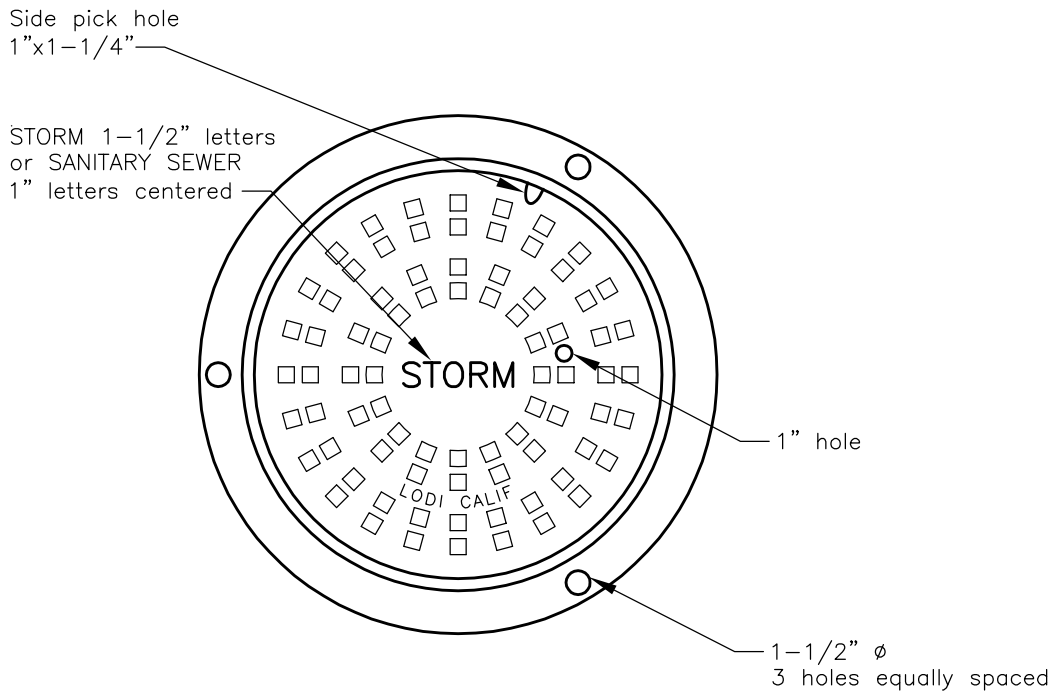
STD PLAN

308



CITY OF LODI
PUBLIC WORKS DEPARTMENT

Manhole Assembly (24")



Notes:

1. Frame—Approx. wt. 140 lbs.
2. Cover—Approx. wt. 136 lbs.
3. Manhole cover shall be marked "STORM" or "SANITARY SEWER" as appropriate.
4. Material—Cast Iron per ASTM A-48 Class 30
5. See Std. Plan 123 for adjustment to grade.

Dr.	No.	Date	Revision	Appr.	Approved By:	Date
KT					<i>F. Wally Sandelin</i>	12/28/00
Ch.					F. Wally Sandelin City Engineer	
Date					R.C.E. 39895	

STD PLAN

309

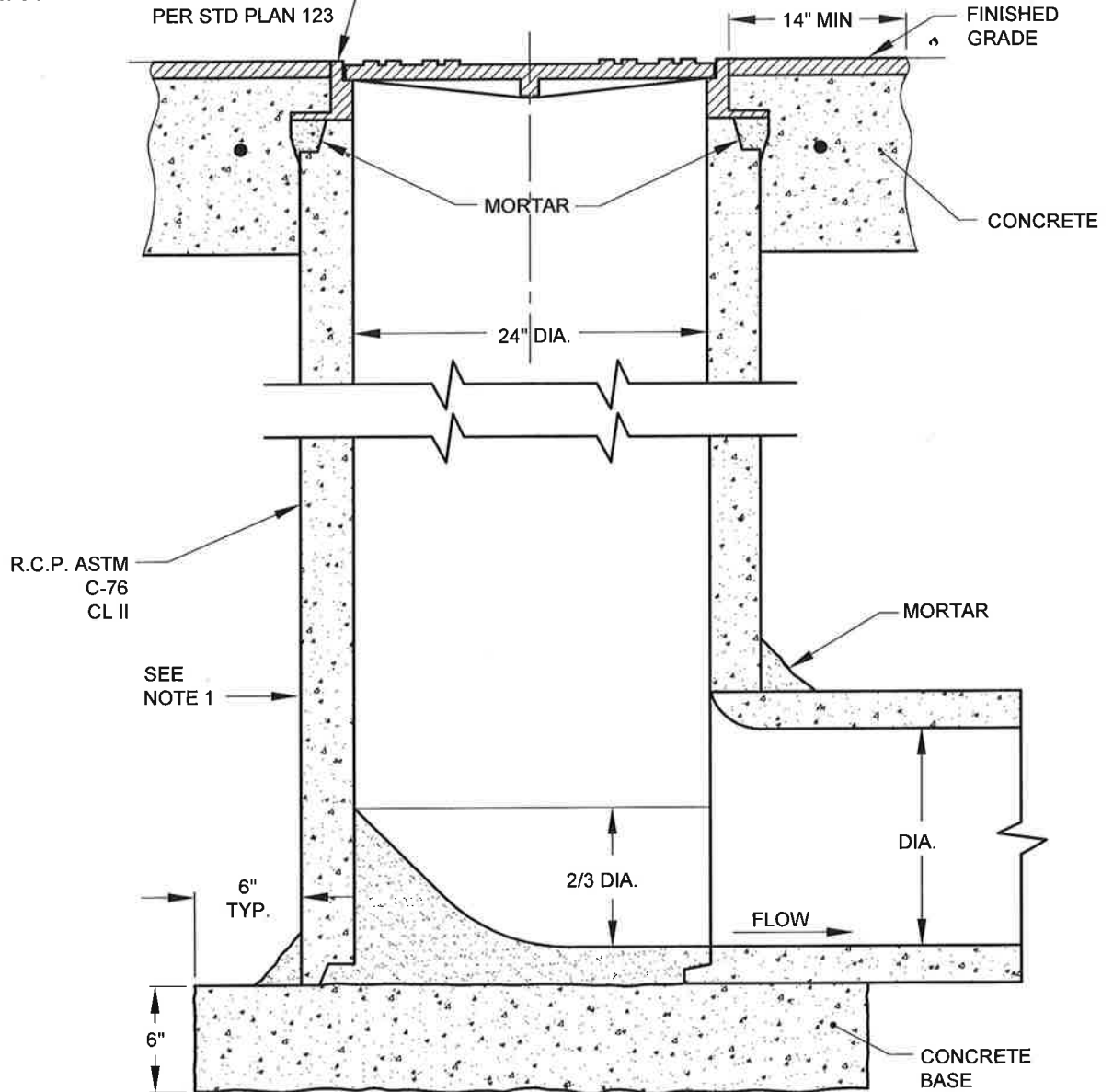


CITY OF LODI

PUBLIC WORKS DEPARTMENT


24" RISER

CAST IRON RING AND COVER PER STD PLAN 309
 CONCRETE COLLAR AND ADJUST TO GRADE
 PER STD PLAN 123



NOTES:

1. BACKFILL AROUND RISER SHALL BE A MINIMUM OF 92% R.C.
2. CONCRETE:
 - A. 2500 PSI @ 28 DAYS
 - B. 4" SLUMP MAXIMUM.
 - C. CLASS B PER SECTION 90 OF STANDARD SPECIFICATIONS. 1-1/2" MAX. AGG.
3. FOR DEPTH OVER 60", USE 48" MANHOLE, STANDARD PLAN 301.
4. FOR TRENCH BACKFILL REQUIREMENTS, SEE STANDARD PLAN 501.

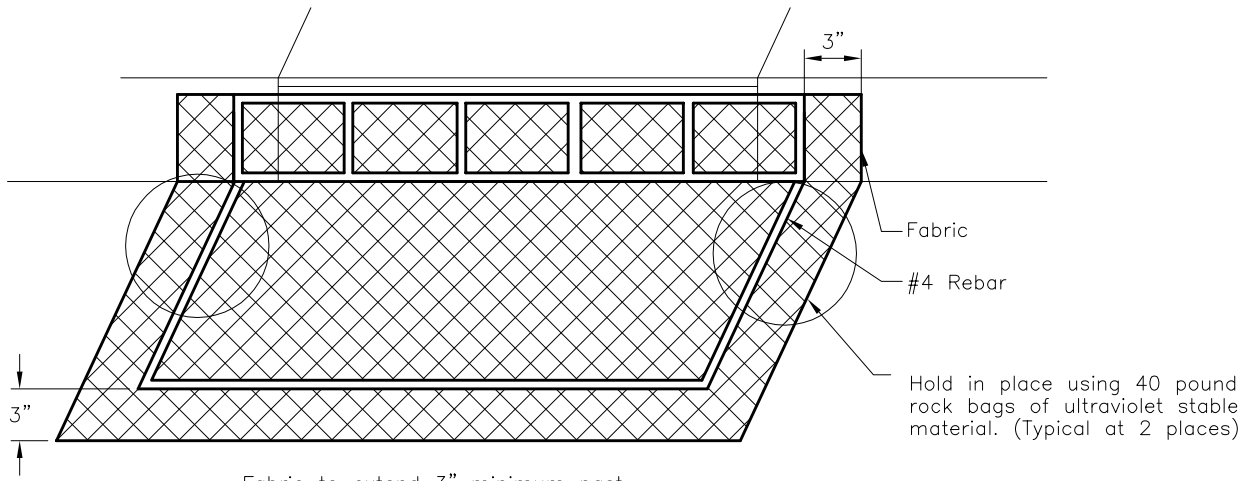
Dr.	KT	No.	Date	Revision	Appr.	Approved By:	STD PLAN
Ch.	WS	1	6/17	ADDED CONCRETE COLLAR			310
Date	12/00					7/18/17 Date	
						Lyman Chang City Engineer RCE No. 53149	



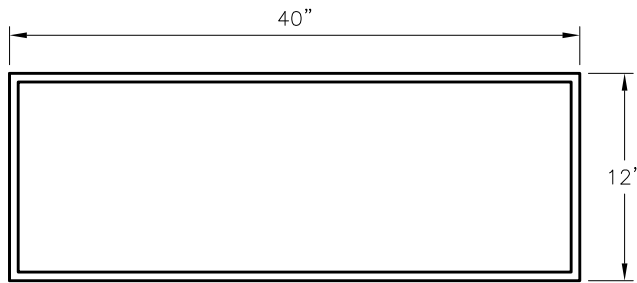
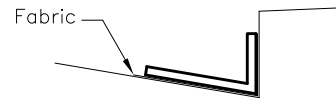
CITY OF LODI

PUBLIC WORKS DEPARTMENT

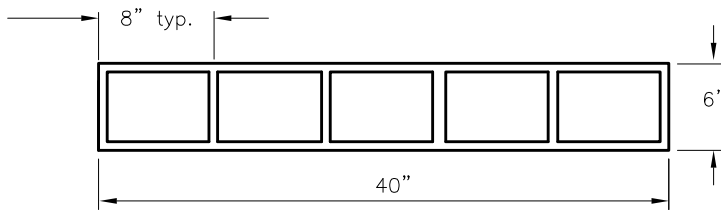
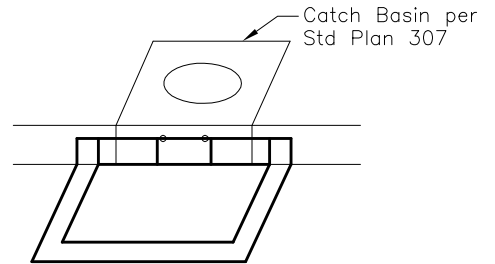
Construction Catch Basin Filter



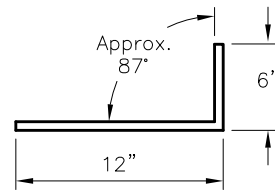
Fabric to extend 3" minimum past bar on front & sides.



Top



Front

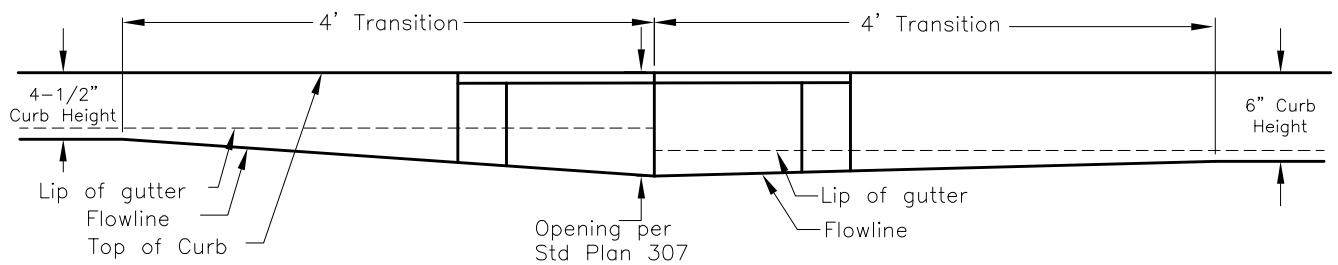


Side

Notes:

- Will be maintained weekly and/ or after every storm.

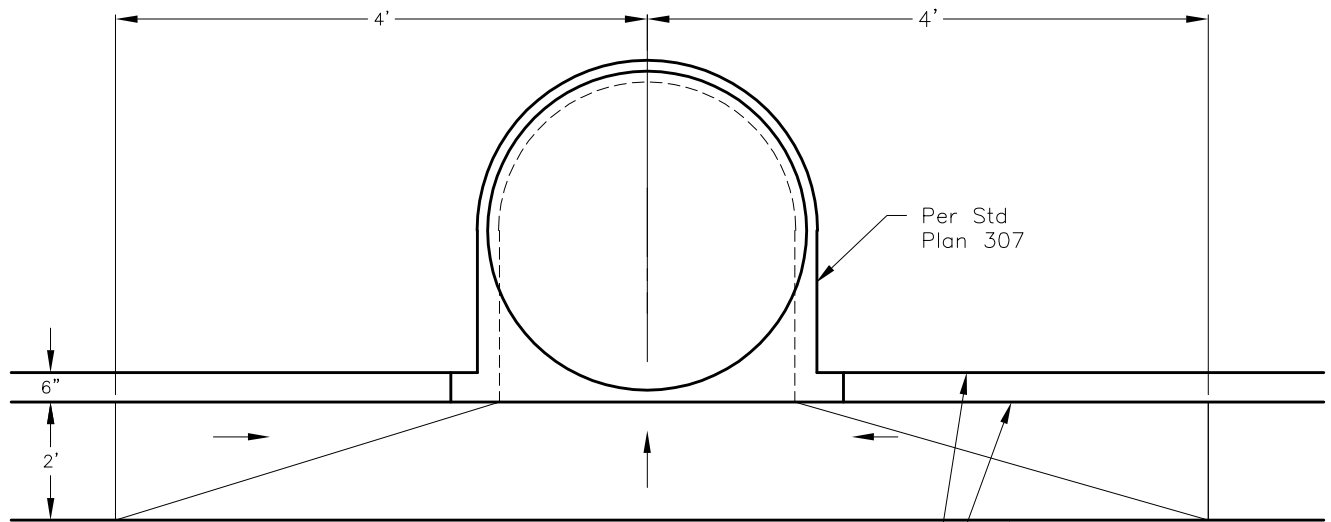
Dr. KT	No.	Date	Revision	Appr.	Approved By:	STD PLAN
Ch. WS					<i>F. Wally Sandelin</i>	313
Date 12/00					F. Wally Sandelin City Engineer R.C.E. 39895	12/28/00 Date



Left side for
4-1/2" Curb Height

Gutter Transition Detail

Right side for
6" Curb Height



Plan View

Back of Curb
Face of Curb
Lip of Gutter

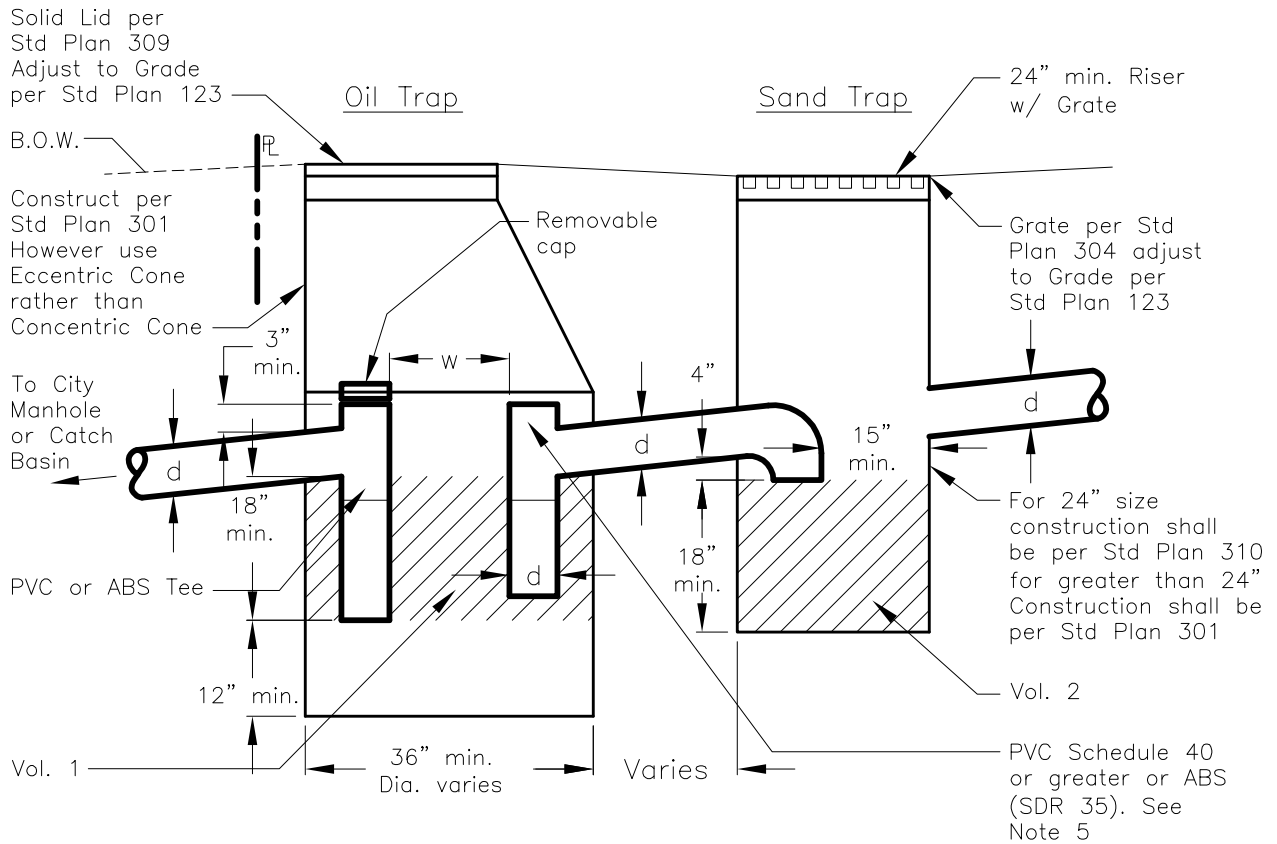
Dr. KT	No.	Date	Revision	Appr.	Approved By: <i>F. Wally Sandelin</i>	12/28/00	STD PLAN
Ch. WS					F. Wally Sandelin City Engineer R.C.E. 39895	Date	314
Date 12/00							



CITY OF LODI

PUBLIC WORKS DEPARTMENT

Sand/Oil Trap



Drainage Area (s.f.) (Excluding Landscaping)	Vol. 1 cu. ft.	d	w	Vol. 2 Combined all C.B.'S cu.ft.
0 - 20,000	3	6"	12"	Drainage Area ÷ 4000
20,000 - 40,000	6	8"	16"	
40,000 - 100,000	10	10"	20"	
100,000 - 220,000	12	12"	24"	

Notes:

1. Precast commercial units are acceptable with prior approval.
2. Oil Trap to be outside of fencing and subject to inspection at all times.
3. Larger sizes may be required based on generation of oil and/ or sand (i.e. Bulk oil facilities, Trucking firms)
4. For lower flows Standard Plan 205 can be used with City approval.
5. For petrochemical applications Cast Iron fittings and piping will be used.

Dr. KT	No. 1	Date 2/04	Revision ADDED REMOVABLE CAP	Appr.	Approved By: <i>F. Wally Sandelin</i>	2/12/04	STD PLAN
Ch. WS					F. Wally Sandelin City Engineer R.C.E. 39895	Date	315
Date 12/00							