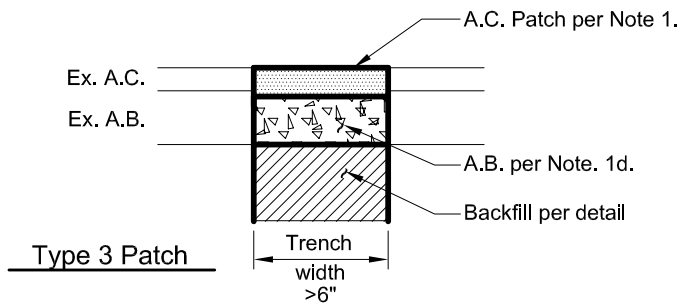
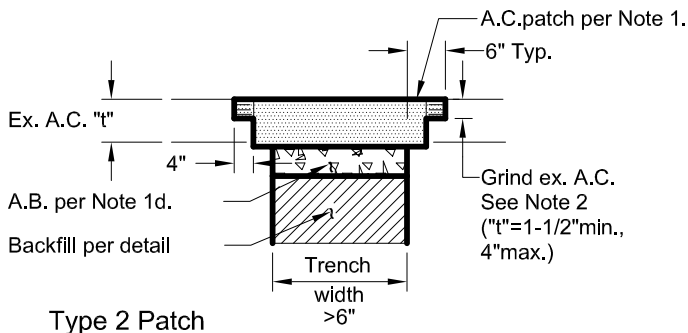
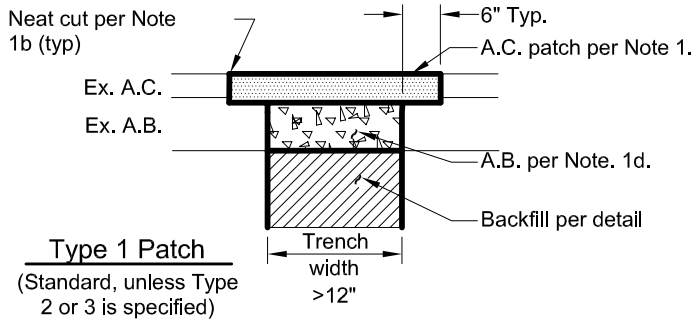




CITY OF LODI

PUBLIC WORKS DEPARTMENT

Trench Structural Section Requirements

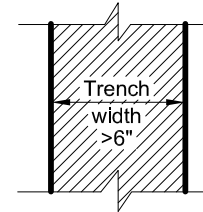


PAVEMENT REPLACEMENT

Notes:

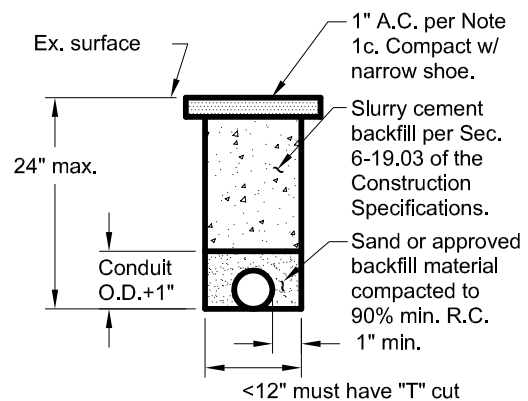
- Type 1 Patch:
 - Total AC thickness to match existing plus 1", 4" minimum applied in two lifts.
 - Drop hammer or other rough cut allowed for initial cut along trench wall. Final AC removal per Sec. 6-15.02 "Removal Method" of the Construction Specification.
 - AC replacement per Sec. 6-39.04 "Trench Replacement and Shoulder Paving" of the Construction Specifications.
 - AB thickness per Plans. AB may be replaced by additional AC (50% of req'd AB thickness).
- Type 2 patch optional, except when required by the City. Grind depth "t" shall be adjusted to match existing overlay thickness.
- Type 3 Patch to be used when shown on the plans or as approved by the Engineer, generally on streets to be overlaid.
- Controlled density fill (CDF) may be used for backfill with the prior approval of the Engineer.

Backfill:
Native material @ 90% R.C. except approved select material or A.B. Cl. 2 @ 95% required for:
a.) Type 2 patch
b.) Excavation smaller than 3'x3'



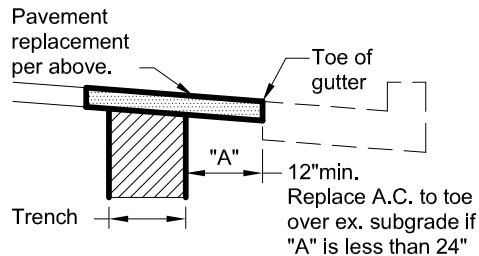
Pipe bedding per Std Plan 501

BACKFILL



3" & Smaller Conduit

(Wheel Cut Trench)



Adjacent to Gutter

SPECIAL CASES

Dr. KT	No. 1	Date 9/03	Revision REVISED AB PATTERN	Appr.	Approved By: <i>F. Wally Sandele</i>	9/25/02	STD PLAN
Ch. WS					F. Wally Sandele City Engineer R.C.E. 39895	Date	506
Date 12/00							